

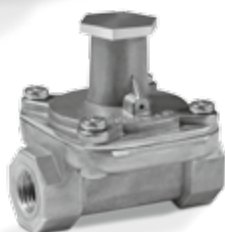
## Gas pressure regulators J78R, 60DJ Z

Product brochure · GB

2 Edition 10.09



CE

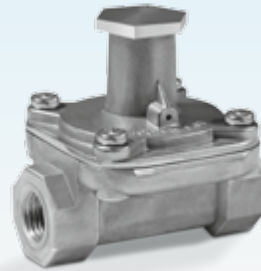


- Pressure regulators for gaseous media for installation in all types of gas appliances
- Inlet pressure compensation diaphragm in J78R ensures high control accuracy
- Breather line is not required
- EC type-tested and certified

## Application



J78R for use in gas trains, for example



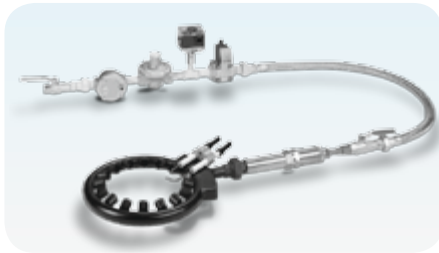
60DJ Z is primarily used on pilot burners

For controlling the pressure of the gas or air supply to gas burners and gas appliances. An optional connection for pilot gas lines or pressure test points is available for the inlet of the J78R.

The pressure regulators comply with the requirements of EN 88, Class A, Group 2.

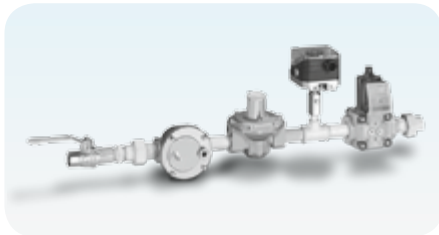
### Examples of application

#### Atmospheric surface burner



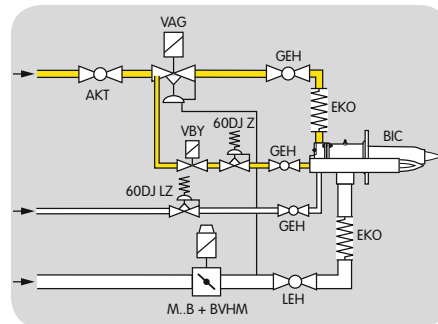
To maintain a constant gas pressure on gas surface burners with an inlet pressure of less than 100 mbar.

#### Gas trains

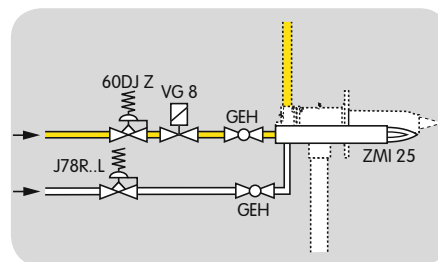


Control of the gas pressure in gas inlet sections up to 100 mbar.

### Pilot burner control



The 60DJ Z can be used in the gas circuit to control a pilot burner. For air, use the 60DJ LZ.



Alternatively, pressure regulator J78R..L can be used in the air circuit for higher capacities.

### Technical data

Types of gas: town gas, natural gas, LPG (gaseous) and biologically produced methane, J78R..L and 60DJ LZ for air only.

Inlet pressure  $p_e$ : up to 100 mbar.

Pressure regulators according to EN 88, Class A, Group 2.

Ambient temperature: -20 to +60°C.

Housing: aluminium, diaphragms: Perbunan.

### J78R

Measuring connection with screw plug Rp 1/8 at the inlet on the right-hand side (option).

Outlet pressure  $p_a$ : 6–55 mbar.

The outlet pressure  $p_a$  is adjusted by inserting different springs, see [spring table]. It is pre-set at the factory to 20 mbar (black spring).

Weight: 0.52 kg.

Connecting thread: Rp 1/2 to ISO 7-1, DN 15.

Valve seat: Perbunan, valve disc: POM.

### 60DJ Z

Outlet pressure  $p_a$ : 35–90 mbar, set to 80 mbar.

Weight: 0.11 kg.

Connecting thread: Rp 1/4 to ISO 7-1, DN 8.

Valve seat: POM, valve disc: POM.

### Certification

#### EC type-tested and certified

Certified to

- Gas Appliances Directive (90/396/EEC) in conjunction with EN 88, Class A, Group 2.
- J78R..L and 60DJ LZ (for air) need not be approved.



elster  
Kromschroeder

Detailed information on this product



[http://docuthek.kromschroeder.com/doclib/main.php?language=1&folderid=202010&by\\_class=6](http://docuthek.kromschroeder.com/doclib/main.php?language=1&folderid=202010&by_class=6)

### Contact

[www.kromschroeder.com](http://www.kromschroeder.com) → Sales

Elster GmbH  
Postfach 2809 · 49018 Osnabrück  
Strothweg 1 · 49504 Lotte (Büren)  
Germany  
T +49 541 1214-0  
F +49 541 1214-370  
info@kromschroeder.com  
[www.kromschroeder.com](http://www.kromschroeder.com)

We reserve the right to make technical modifications in the interests of progress.  
Copyright © 2013 Elster GmbH  
All rights reserved.